

# ELECRO

## ENGINEERING

### ELECRO Nano

Spa Heater 1-kW - 6-kW



#### Features

- Fully equipped
- Easy installation
- Compact design
- Robust, durable construction
- Titanium heating element
- 2 years conditional warranty
- 316 stainless steel flow tube
- *Optional* safety thermal cut-out (manual reset)
- *Optional* analogue control with 1°C Differential
- *Optional* ultra-reliable flow switch allows safe operation with 1,000 ltr/h

#### Construction

The Elecro Nano Spa heater is manufactured from top quality components and materials at the Elecro works in Hertfordshire, England. Construction consists of a flow tube which is fitted with Inlet and Outlet mouldings manufactured from specially formulated polymer alloy material.

As standard the Nano Spa heater is supplied without any control circuit components, you can then select as many or as few options you would like from the extensive list of available options (below) – allowing complete flexibility and suitability to your requirements:

Options Available:

- Analogue control thermostat 0 - 45°C (1°C Differential)
- Safety thermal cut-out (60°C manual reset)
- Flow switch
- NTC or PTC temperature detection probe (pre-fitted)
- Relay
- Control circuit output cable (for simple integration into existing Spa control panel)
- Power supply cable

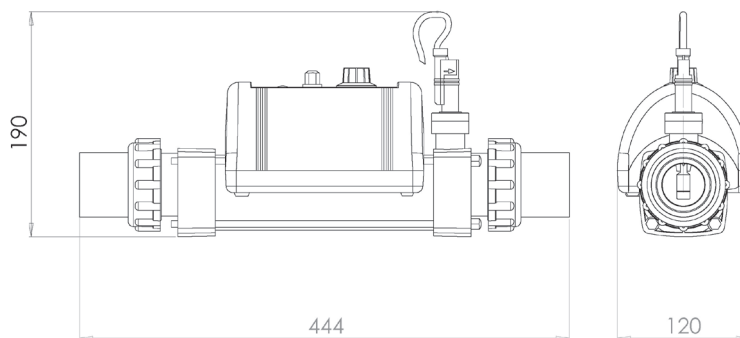


## Specification & Models

<b>Power supply:</b>	230V single phase
<b>Flow requirements:</b>	Minimum flow = 1m <sup>3</sup> /h Maximum flow = 17m <sup>3</sup> /h
<b>Heating Element:</b>	Titanium
<b>Flow tube:</b>	BS 316 Stainless Steel
<b>Wiring:</b>	High temperature, silicone sheathed, multi-strand copper conductors
<b>Seals:</b>	Special formula high temperature polymer
<b>Water connections:</b>	1½" BSP female thread, supplied with 1½" to 50mm ABS unions
<b>Working pressure:</b>	4 bar maximum
<b>Standards compliance:</b>	European Electromagnetic Compatibility directive 89/336/EEC and 93/068/EEC
<b>Harmonised Standards:</b>	EN 55014 – EN55104, EN 5501, EN 5502, CEI 801-4, CEI 801-2, CEI 801-3 The European Low Voltage Directive 72/23/EEC The Harmonised Standard EN 60335-2-35

Standard Output 230V 1 Phase	Load	Product Code
1-kW	5-Amp	N-SPA-1
2-kW	9-Amp	N-SPA-2
3-kW	13-Amp	N-SPA-3
4-kW	18-Amp	N-SPA-4
5-kW	22-Amp	N-SPA-5
6-kW	27-Amp	N-SPA-6

## Dimensions



[www.elecro.co.uk](http://www.elecro.co.uk)

**ELECR O**  
ENGINEERING

11 Gunnels Wood Park  
Stevenage  
Hertfordshire  
SG1 2BH  
United Kingdom  
t: +44 (0) 1438 749 474  
f: +44 (0) 1438 361 329  
e: [info@elecro.co.uk](mailto:info@elecro.co.uk)