

Vision Filter

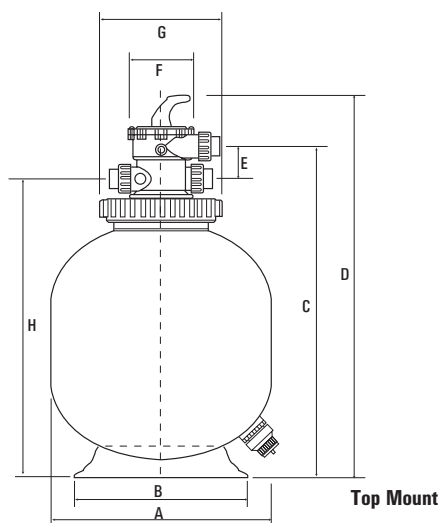
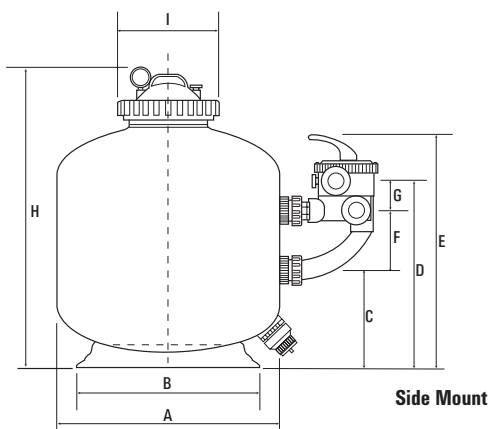
FEATURES

- Patented 10" lid for ease of maintenance
- Clear valve mounting ring for top mount models
- Hydraulically balanced laterals
- Automatic internal air bleed
- Max working pressure 2.5 BAR
- Bobbin wound filter tank
- Full 10 year tank warranty

Designed with the user in mind, the Vision filter has a 10" diameter lid and locking ring assembly, and a dual water and media dump port arrangement to allow for ease of maintenance. The top mount models incorporate a clear valve mounting ring to allow a clear view of filtration and backwashing during operation. Internally, the Vision has hydraulically balanced laterals to maximise water flow and filtration and an automatic internal air bleed to expel any unwanted air in the tank. Vision filters are available in top mount models in tank sizes from 20" (500mm) to 28" (710mm) and in side mount models in tank sizes from 20" (500mm) to 36" (900mm) and are supplied with a 6 way multiport, air relief and pressure gauge

VISION

Filters



Model	Size	Valve Type	Dimensions									Filter Area m ²	Sand kg	Pipe Connections
			A	B	C	D	E	F	G	H	I			
FVS20	20" / 500mm	Side Mount	520	445	282	593	683	203	54	899	343	0.20	90	1.5" / 50mm
FVS24	24" / 600mm	Side Mount	622	484	317	574	717	203	54	957	343	0.28	140	1.5" / 50mm
FVS30	30" / 760mm	Side Mount	772	620	337	642	799	203	102	1030	343	0.44	210	2" / 63mm
FVS36	36" / 900mm	Side Mount	923	620	387	693	850	203	102	1156	343	0.64	360	2" / 63mm
FVS20T	20" / 500mm	Top Mount	510	484	839	982	91	182	343	748	-	0.20	90	1.5" / 50mm
FVS24T	24" / 600mm	Top Mount	620	484	930	1073	91	182	343	839	-	0.28	160	1.5" / 50mm
FVS30T	28" / 710mm	Top Mount	720	620	941	1083	91	182	343	850	-	0.38	200	1.5" / 50mm